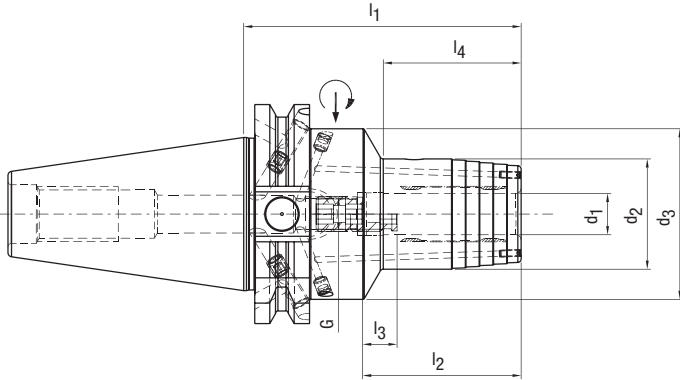


31 avenue des lacs 74950  
SCIONZIER  
Tel : 04 50 18 030 27 Fax : 04 50 18  
30 28  
md@mecadiffusion.net  
www.mecadiffusion.com



# Hydraulic Chuck ISO 7388-1, Form AD/AF

(prev. DIN 69871-AD/B), short narrow design, with resealable coolant duct holes



Nominal size SK/ISO	Dimensions							G	sw	Weight [kg]	Order designation	Order No.
	$d_1$	$d_2$	$d_3$	$l_1$	$l_2$	$l_3$	$l_4$					
40	6	26	49.5	80.5	37	10	29.5	M5	2.5	1.3	15.507.40.06.KKB	30595958
40	8	28	49.5	80.5	37	10	30	M6	3	1.3	15.507.40.08.KKB	30595959
40	10	30	49.5	80.5	41	10	35	M8x1	3	1.3	15.507.40.10.KKB	30595961
40	12	32	49.5	80.5	46	10	40	M10x1	5	1.3	15.507.40.12.KKB	30532100
40	14	34	49.5	80.5	46	10	40	M10x1	5	1.3	15.507.40.14.KKB	30595962
40	16	38	49.5	80.5	49	10	45	M12x1	5	1.4	15.507.40.16.KKB	30595964
40	18	40	49.5	80.5	49	10	46	M12x1	5	1.3	15.507.40.18.KKB	30595966
40	20	42	49.5	80.5	51	10	47	M16x1	8	1.3	15.507.40.20.KKB	30595967
40	25	55	63	80.5	57	10	28	M16x1	8	1.6	15.507.40.25.KKB	30595969
40	32	63	70	80.5	61	10	25.5	M16x1	8	1.7	15.507.40.32.KKB	30595970

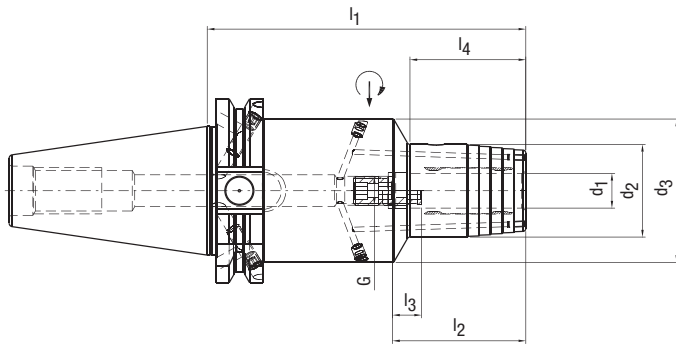
Dimensions in mm.

Basic form AD. Please indicate form AF (prev. B) in your order.

Spare parts and accessories at the end of this chapter. Custom designs available on request.

# Hydraulic Chuck ISO 7388-1, Form AD/AF

(prev. DIN 69871-AD/B), long narrow design, with resealable coolant duct holes



Nominal size SK/ISO	Dimensions							G	sw	Weight [kg]	Order designation	Order No.
	$d_1$	$d_2$	$d_3$	$l_1$	$l_2$	$l_3$	$l_4$					
40	6	26	49.5	110	37	10	29	M5	2.5	1.7	15.507.40.06.110.KKB	30596252
40	8	28	49.5	110	37	10	30	M6	3	1.7	15.507.40.08.110.KKB	30596254
40	10	30	49.5	110	41	10	35	M8x1	3	1.8	15.507.40.10.110.KKB	30596257
40	12	32	49.5	110	46	10	40	M10x1	5	1.8	15.507.40.12.110.KKB	30596286
40	14	34	49.5	110	46	10	40	M10x1	5	1.8	15.507.40.14.110.KKB	30596293
40	16	38	49.5	110	49	10	45	M12x1	5	1.8	15.507.40.16.110.KKB	30596295
40	18	40	49.5	110	49	10	46	M12x1	5	1.9	15.507.40.18.110.KKB	30596296
40	20	42	49.5	110	51	10	47	M16x1	8	1.9	15.507.40.20.110.KKB	30596297
40	25	55	63	110	57	10	28	M16x1	8	2.1	15.507.40.25.110.KKB	30596299
40	32	63	59	110	61	10	59	M16x1	8	2.2	15.507.40.32.110.KKB	30596301

Dimensions in mm.

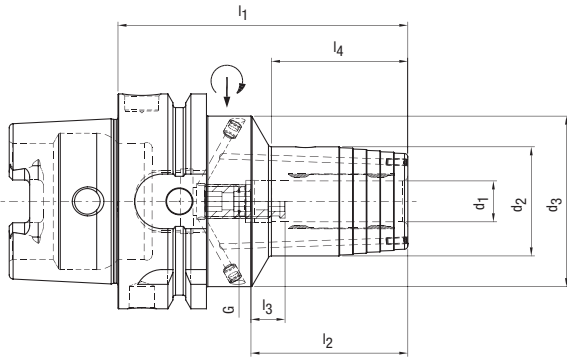
Basic form AD. Please indicate form AF (prev. B) in your order.

Spare parts and accessories at the end of this chapter. Custom designs available on request.



# Hydraulic Chuck DIN 69893-A

Short narrow design, with resealable coolant duct holes



Nominal size HSK-A	Dimensions							G	sw	Weight [kg]	Order designation	Order No.
	$d_1$	$d_2$	$d_3$	$l_1$	$l_2$	$l_3$	$l_4$					
63	6	26	50	70	37	10	24	M5_KKB	2.5	0.9	16.507.63.06.KKB	30596222
63	8	28	50	70	37	10	25	M6_KKB	3	0.9	16.507.63.08.KKB	30596227
63	10	30	50	80	41	10	35	M8x1	3	1	16.507.63.10.KKB	30532104
63	12	32	50	85	46	10	40	M10x1	5	1	16.507.63.12.KKB	30596229
63	14	34	50	85	46	10	40	M10x1	5	1.1	16.507.63.14.KKB	30596235
63	16	38	50	90	49	10	46	M12x1	5	1.2	16.507.63.16.KKB	30596237
63	18	40	50	90	49	10	47	M12x1	5	1.2	16.507.63.18.KKB	30596239
63	20	42	50	90	51	10	48	M16x1	5	1.2	16.507.63.20.KKB	30596242
63	25	57	53	120	57	10	63	M16x1	5	2.2	16.507.63.25.KKB	30596243
63	32	63	59	125	61	10	61	M16x1	5	2.4	16.507.63.32.KKB	30596245

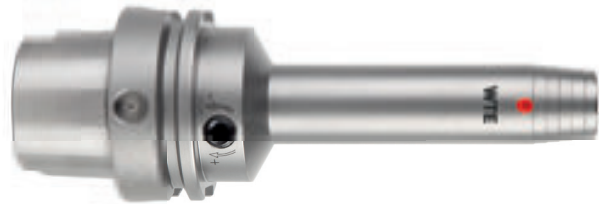
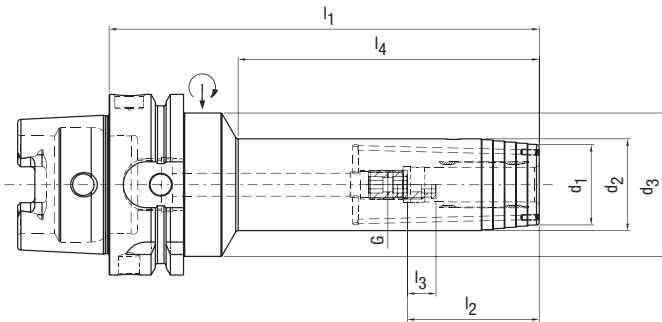
Dimensions in mm.

Spare parts and accessories at the end of this chapter.

MQL-capable design possible on request. Custom designs available on request.

# Hydraulic Chuck DIN 69893-A

Long narrow design, with resealable coolant duct holes



Nominal size HSK-A	Dimensions							G	sw	Weight [kg]	Order designation	Order No.
	$d_1$	$d_2$	$d_3$	$l_1$	$l_2$	$l_3$	$l_4$					
63	6	26	50	150	37	10	103	M5	2.5	1.3	16.507.63.06.150.KKB	30596356
63	8	28	50	150	37	10	104	M6	3	1.3	16.507.63.08.150.KKB	30596357
63	10	30	50	150	41	10	104	M8x1	3	1.4	16.507.63.10.150.KKB	30596358
63	12	32	50	150	46	10	105	M10x1	5	1.6	16.507.63.12.150.KKB	30596361
63	14	34	50	150	46	10	105	M10x1	5	1.7	16.507.63.14.150.KKB	30596363
63	16	38	50	150	49	10	106	M12x1	5	1.8	16.507.63.16.150.KKB	30596366
63	18	40	50	150	49	10	107	M12x1	5	1.9	16.507.63.18.150.KKB	30596368
63	20	42	50	150	51	10	108	M16x1	5	1.9	16.507.63.20.150.KKB	30596369

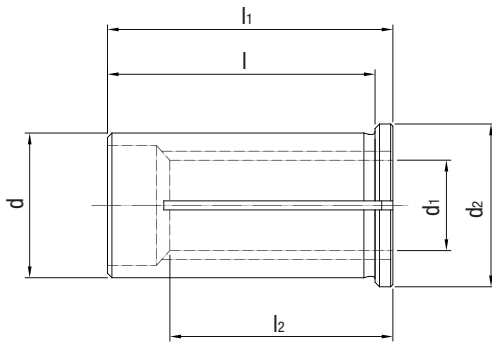
Dimensions in mm.

Spare parts and accessories at the end of this chapter.

MQL-capable design possible on request. Custom designs available on request.

## Reducing Sleeve, KKB

With coolant bores, for flexible diameter application

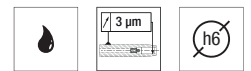
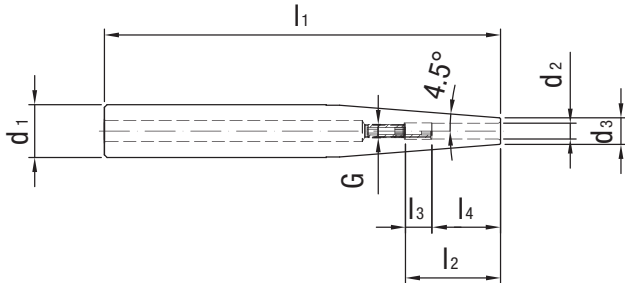


Dimensions							Order designation	Order No.
d	d <sub>1</sub>	d <sub>2</sub>	l	l <sub>1</sub>	l <sub>2</sub>	Weight [kg]		
12	3	16	40	44	29	0.03	40.456.12.03.KKB	30557343
12	4	16	40	44	29	0.03	40.456.12.04.KKB	30557344
12	5	16	40	44	29	0.03	40.456.12.05.KKB	30557345
12	6	16	40	44	36	0.03	40.456.12.06.KKB	30557346
12	8	16	40	44	37	0.02	40.456.12.08.KKB	30557347
20	3	25	50	54	28	0.1	40.456.20.03.KKB	30557348
20	4	25	50	54	28	0.1	40.456.20.04.KKB	30557350
20	5	25	50	54	28	0.1	40.456.20.05.KKB	30557351
20	6	25	50	54	36	0.1	40.456.20.06.KKB	30557352
20	8	25	50	54	37	0.09	40.456.20.08.KKB	30557353
20	10	25	50	54	40	0.09	40.456.20.10.KKB	30557354
20	12	25	50	54	45	0.08	40.456.20.12.KKB	30557355
20	14	25	50	54	45	0.07	40.456.20.14.KKB	30557356
20	16	25	50	54	48	0.05	40.456.20.16.KKB	30557358
32	6	36	60	64	36	0.31	40.456.32.06.KKB	30557359
32	8	36	60	64	36	0.3	40.456.32.08.KKB	30557360
32	10	36	60	64	40	0.29	40.456.32.10.KKB	30557361
32	12	36	60	64	45	0.28	40.456.32.12.KKB	30557362
32	14	36	60	64	46	0.27	40.456.32.14.KKB	30557364
32	16	36	60	64	48	0.26	40.456.32.16.KKB	30557365
32	18	36	60	64	49	0.24	40.456.32.18.KKB	30557366
32	20	36	60	64	50	0.22	40.456.32.20.KKB	30557367
32	25	36	60	64	56	0.15	40.456.32.25.KKB	30557369

Caution: Never clamp without tool - the reducing sleeve will be damaged!

# Shrink Extension

As flexible adaptation, length adjustment screw (from  $\varnothing$  6mm)  
 Tool length as per customer request possible!



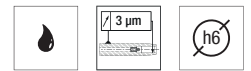
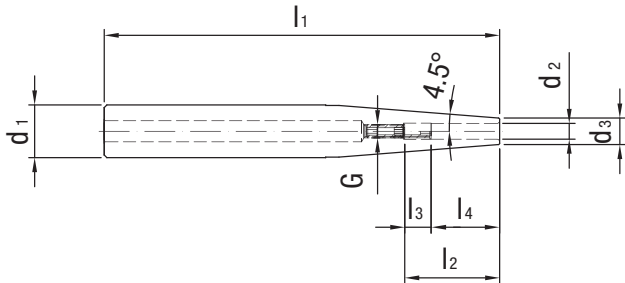
Dimensions							G	sw	Weight [kg]	Order designation	Order No.
d <sub>1</sub>	d <sub>2</sub>	d <sub>3</sub>	l <sub>1</sub>	l <sub>2</sub>	l <sub>3</sub>	l <sub>4</sub>					
12	3	8	150	-	-	12	-	0.1	-	40.357.12.03.Z	30344729
12	4	8	150	-	-	16	-	0.1	-	40.357.12.04.Z	30344730
12	5	10	150	-	-	20	-	0.1	-	40.357.12.05.Z	30344731
12	6	10	150	36	10	26	M5	2.5	0.1	40.357.12.06.Z	30344732
16	3	10	150	-	-	12	-	0.2	-	40.357.16.03.Z	30344733
16	4	10	150	-	-	16	-	0.2	-	40.357.16.04.Z	30344734
16	5	10	150	-	-	20	-	0.2	-	40.357.16.05.Z	30344735
16	6	10	150	36	10	26	M5	2.5	0.2	40.357.16.06.Z	30344736
16	8	12	150	36	10	26	M6	3	0.2	40.357.16.08.Z	30344737
20	3	10	150	-	-	12	-	0.3	-	40.357.20.03.Z	30344738
20	4	10	150	-	-	16	-	0.3	-	40.357.20.04.Z	30344739
20	5	10	150	-	-	20	-	0.3	-	40.357.20.05.Z	30344740
20	6	10	150	36	10	26	M5	2.5	0.3	40.357.20.06.Z	30344741
20	8	12	150	36	10	26	M6	3	0.3	40.357.20.08.Z	30344742
20	10	14	150	42	10	32	M8x1	3	0.3	40.357.20.10.Z	30344743
20	12	16	150	47	10	37	M10x1	5	0.3	40.357.20.12.Z	30344744

Dimensions in mm.  
 Custom designs available on request.

## Shrink Extension

As flexible adaptation, length adjustment screw (from  $\varnothing$  6mm)

Tool length as per customer request possible



Dimensions							G	sw	Weight [kg]	Order designation	Order No.
d <sub>1</sub>	d <sub>2</sub>	d <sub>3</sub>	l <sub>1</sub>	l <sub>2</sub>	l <sub>3</sub>	l <sub>4</sub>					
25	3	10	150	-	-	12	-	0.5	-	40.357.25.03.Z	30344745
25	4	10	150	-	-	16	-	0.5	-	40.357.25.04.Z	30344746
25	5	15	150	-	-	20	-	0.5	-	40.357.25.05.Z	30344747
25	6	20	150	36	10	26	M5	2.5	0.5	40.357.25.06.Z	30344748
25	8	20	150	36	10	26	M6	3	0.5	40.357.25.08.Z	30344749
25	10	20	150	42	10	32	M8x1	3	0.5	40.357.25.10.Z	30344750
25	12	20	150	47	10	37	M10x1	5	0.5	40.357.25.12.Z	30344751
25	14	20	150	47	10	37	M10x1	5	0.4	40.357.25.14.Z	30344752
25	16	22	150	50	10	40	M10x1	5	0.4	40.357.25.16.Z	30344753
32	6	20	150	36	10	26	M5	2.5	0.8	40.357.32.06.Z	30344754
32	8	20	150	36	10	26	M6	3	0.8	40.357.32.08.Z	30344755
32	10	24	150	42	10	32	M8x1	3	0.8	40.357.32.10.Z	30344756
32	12	24	150	47	10	37	M10x1	5	0.8	40.357.32.12.Z	30344757
32	14	27	150	47	10	37	M10x1	5	0.8	40.357.32.14.Z	30344758
32	16	27	150	50	10	40	M10x1	5	0.8	40.357.32.16.Z	30344759
32	18	27	150	50	10	40	M10x1	5	0.7	40.357.32.18.Z	30337832
32	20	27	150	52	10	42	M10x1	5	0.7	40.357.32.20.Z	30337833

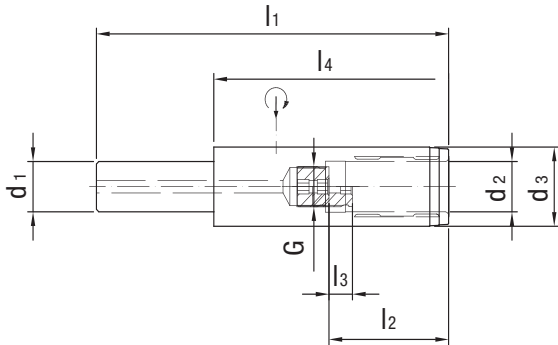
Dimensions in mm.

Custom designs available on request.



# Hydraulic Expansion Extension

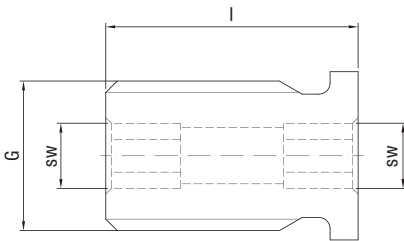
As flexible adaptation



Dimensions							G	sw	Weight [kg]	Order designation	Order No.
$d_1$	$d_2$	$d_3$	$l_1$	$l_2$	$l_3$	$l_4$					
20	12	25	150	46	10	100	M10x1	5	0.5	40.557.20.12.Z	30479021
20	20	31.5	150	51	10	100	M16x1	5	0.6	40.557.20.20.Z	30479022
32	20	31.5	150	51	10	90	M16x1	5	0.7	40.557.32.20.Z	30479024
32	20	31.5	200	51	10	90	M16x1	5	0.8	40.557.32.20.Z/200	30479025

# Stop Screw direct clamping

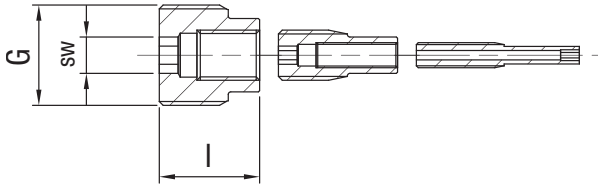
For axial length adjustment



G	sw	l	Weight [kg]	Order designation	Order No.
M5	2.5	12.5	0.001	89.122.88	30252539
M6	3	12.5	0.002	89.122.89	30252540
M8x1	3	13.5	0.004	89.122.23	30252541
M10x1	5	13.5	0.006	89.122.90	30252542
M12x1	5	13.5	0.011	89.122.24	30252543
M16x1	5	13.5	0.017	89.122.19	30252544
M16x1	8	13.5	0.021	89.122.91	30252547

## AAS Stop Screw

With the use of WTE Reducing Sleeves for axial length adjustment



### AAS 12 for order designation 40.456.12.xx

Dimensions				Order designation	Order No.
G	sw	l	Weight [kg]		
M10x1	2.5	16	0.002	89.122.103	30308896
M4x0.5	1.5	26	0.001	89.122.101	30308901

### AAS 20 for order designation 40.456.20.xx

Dimensions				Order designation	Order No.
G	sw	l	Weight [kg]		
M16x1	5	16	0.002	89.122.99	30308897
M8x1	2.5	19	0.002	89.122.100	30308899
M4x0.5	1.5	26	0.001	89.122.101	30308901

### AAS 25 for order designation 40.456.25.xx

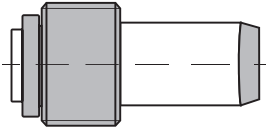
Dimensions				Order designation	Order No.
G	sw	l	Weight [kg]		
M16x1	5	20	0.002	89.122.104	30308904
M8x1	2.5	19	0.002	89.122.100	30308899
M4x0.5	1.5	26	0.001	89.122.101	30308901

### AAS 32 for order designation 40.456.32.xx

Dimensions				Order designation	Order No.
G	sw	l	Weight [kg]		
M16x1	5	20	0.002	89.122.104	30308904
M8x1	2.5	19	0.002	89.122.100	30308899

## Coolant Transfer Pipe

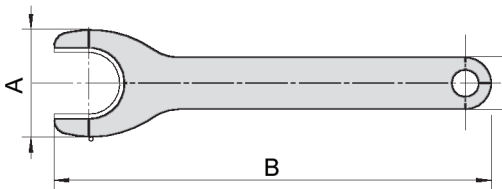
For DIN 69893-A/E



HSK	Weight [kg]	Order designation	Order No.
32	0.01	89.220.72	30326003
40	0.01	89.220.73	30326004
50	0.02	89.220.74	30326005
63	0.02	89.220.75	30326006
80	0.02	89.220.76	30326007
100	0.03	89.220.77	30326008

## Extraction Key

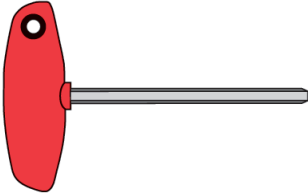
For easy extraction of the Reducing Sleeves from the WTE Hydraulic Chuck



For	A	B	Order designation	Order No.
HS 12	24.6	100	89.206.26	30251198
HS 20	38	160	89.206.27	30251199
HS 25	51	180	89.206.28	30251200
HS 32	63	200	89.206.29	30251201

## Hexagonal T-key

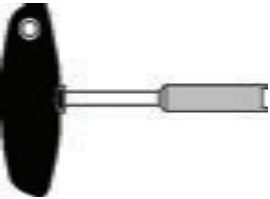
For axial length adjustment



sw	l	Weight [kg]	Order designation	Order No.
2.5	150	0.02	89.206.01	10034540
3	150	0.02	89.206.02	10013347
5	150	0.06	89.206.03	10041807
8	150	0.1	89.206.04	10041808

## Assembly

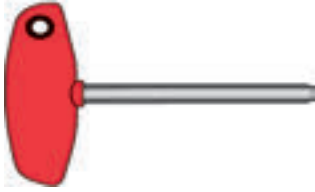
For coolant transfer pipe



sw	Weight [kg]	Order designation	Order No.
32	0.01	89.206.20	10074750
40	0.01	89.206.21	10074751
50	0.01	89.206.22	10074752
63	0.01	89.206.23	10040110
80	0.02	89.206.24	10074774
100	0.02	89.206.25	10074775

## Hexagonal T-key

For pressure input



sw	l	Weight [kg]	Order designation	Order No.
4	100	0.03	89.206.07	10006235
5	100	0.06	89.206.15	10006236

Dimensions in mm.



[www.mecadiffusion.com](http://www.mecadiffusion.com)